

5MP, WDR, AI, IR, TURRET



Fixed Lens Turret

IPT5ES28X

- > Fully Adheres to National Defense Authorization Act (NDA) Guidelines
- > Easy Star Illumination technology ensures color image up to 0.003 Lux (F1.6, AGC ON)
- > Exceptional Video Quality with 5MP, 2880 x 1620 Resolution
- > Super-Efficient H.265 Video Compression for Drastically Reduced Bandwidth and Storage Requirements
- > Powerful, Smart IR LED Lights for 0Lux Nighttime Operation up to 98 Feet
- > 2.8mm Fixed Lens; ONVIF Profile S Compliant
- > TRUE Day/Night and WDR functionality for all Lighting Conditions
- > Dual Video Streams, Built-in mic, Corridor Mode, Backlight Compensation and 3D DNR
- > Intelligent, smart intrusion prevention technology for significantly reduced false alarms when focusing on humans and motor vehicles
- > PoE & 12VDC Power Options and Optional Wall and Pendant Mounts Available
- > Built-in Micro-SD Card Slot enables local storage up to 512GB
- > 3-Way Axis and IP67 Weather Resistant
- > Supported by Uniview tec Guard Station Software, as well as Guard Live and Guard Viewer Mobile App's for iPhone and Android Devices

www.univiewtechnology.com

Specifications

Camera	Description
Max Resolution	5MP
Sensor	1/2.7" CMOS
Min. Illumination	Color: 0.003 lux (F1.6, AGC ON); 0 Lux with IR on
Day/Night	IR-cut filter with auto switch (ICR)
Shutter	Auto/Manual, 1 ~ 1/100000s
Adjustment Angle	Pan: 0° ~ 360°, Tilt: 0° ~ 80°, Rotate: 0° ~ 360°
S/N	>52dB
WDR	120dB
Lens	Description
Focal Length	2.8 mm
Iris Type	Fixed
Iris	F1.6
Field of View (H)	110.0°
Field of View (V)	58.7°
Field of View (D)	130°
DORI	Description
DORI Distance(Lens)	2.8mm
DORI Distance(Detect)	63.0m(206.7t)
DORI Distance(Observe)	25.2m(82.7ft)
DORI Distance(Recognize)	12.6m(41.3ft)
DORI Distance(Identify)	6.3m(20.7ft)
Illuminator	Description
Supplemental Light	IR
Illumination Distance(IR)	30 m (98.4 ft)
Wavelength	850 nm
IR On/Off Control	Auto/Manual
Video	Description
Video Compression	H.265; H.264; MJPEG
H.264 Code Profile	Baseline profile, Main profile, High profile
Frame Rate	Main: 5MP (2880*1620) @25fps;4MP (2560*1440) @25fps; 3MP (2304*1296) @30fps; 1080P (1920*1080) @30fps; 720P (1280*720) @30fps Sub: 720P (1280*720) @30fps; D1 (720*576) @30fps; 640*360 @30fps
Video Bit Rate	128 Kbps ~ 6144 Kbps
U-code	Support
OSD, Privacy Mask	Up to 4
ROI	Support

IPT5ES28X Turret

IP CAMERAS

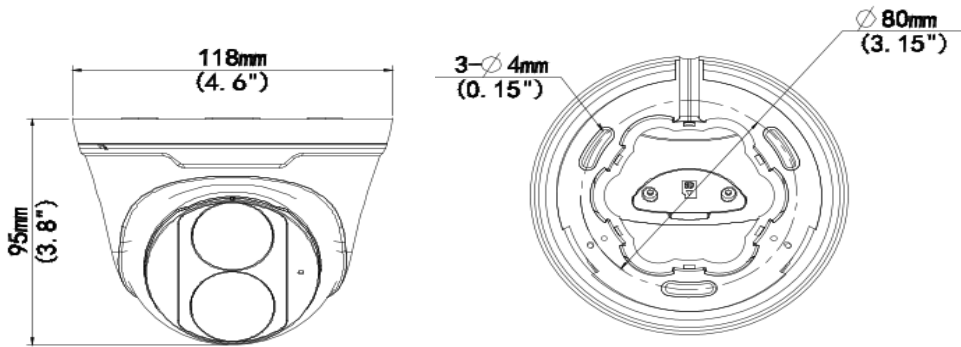
Video Stream	Dual Streams
Image	Description
White Balance	Auto; Outdoor; Fine Tune; Sodium Lamp; Locked; Auto2
Digital Noise Reduction	2D/3D DNR
Smart IR	Support
Flip	Normal; Flip Vertical; Flip Horizontal; 180°; 90°Clockwise; 90°Anti-clockwise
De-warping	N/A
HLC	Support
BLC	Support
Defog	Digital Defog
Events	Description
Basic Detection	Cross Line (based on Human Body Detection); Intrusion (based on Human Body Detection); Motion Detection; Ultra Motion Detection; Tampering Alarm; Audio Detection
General Function	Watermark; IP Address Filtering; Access Policy; ARP Protection; RTSP Authentication; User Authentication
Audio	Description
Audio Compression	G.711U; G.711A
Audio Bitrate	64 Kbps
Two-way Audio	N/A
Suppression	Support
Sampling Rate	8 KHz
Storage	Description
Edge Storage	Micro SD, up to 512 GB
Network Storage	ANR; NAS (NFS)
Network	Description
Protocols	IPv4; IGMP; ICMP; ARP; TCP; UDP; DHCP; RTP; RTSP; RTCP; RTMP; DNS; DDNS; NTP; FTP; UPnP; HTTP; HTTPS; SMTP; QoS; SSL/TLS; 802.1x; SNMP
Compatible Integration	ONVIF (Profile S, Profile G, Profile T); API; SDK
User/Host	Up to 32 users. 3 user levels: administrator, common user and operator
Security	Password Protection; Strong Password; HTTPS Encryption; Export Operation Logs; Basic and Digest Authentication for RTSP; Digest Authentication for HTTP; TLS 1.2; WSSE and Digest Authentication for ONVIF
Client	Guard Live, Guard Viewer, Guard Station
Web Browser	Plug-in required live view: IE 10 and above, Chrome 45 and above, Firefox 52 and above, Edge 79 and above; Plug-in free live view: Chrome 57.0 and above, Firefox 58.0 and above, Edge 16 and above
Interface	Description
Audio I/O	N/A
Alarm I/O	N/A

IPT5ES28X Turret

IP CAMERAS

Serial Port	N/A
Built-in Mic	Support
Built-in Speaker	N/A
WIFI	N/A
Network	1 x RJ45 10M/100M Base-TX Ethernet
Video Output	N/A
Certification	Description
EMC	CE-EMC (EN 55032, EN 61000-3-3, EN IEC 61000-3-2, EN 55035) FCC (FCC 47 CFR part15 B)
Safety	CE LVD (EN 62368-1); UL/CUL (UL 62368-1, CAN/CSA C22.2 No. 62368-1)
Environment	CE-RoHS (2011/65/EU;(EU)2015/863); WEEE (2012/19/EU);
Protection	IP67 (IEC 60529)
General	Description
Power	DC 12V±25%, PoE (IEEE 802.3af); Max 4.4W
Power Interface	Ø 5.5 mm coaxial power plug
Dimensions	Ø118 x 95mm (Ø4.6" x 3.8") (Ø x H)
Weight	0.32kg (0.71lb)
Material	Metal + Plastic
Environment	-30 °C ~ 60 °C (-22 °F ~ 140 °F), Humidity: ≤95% RH (non-condensing)
Surge Protection	4KV
Reset Button	Support

Dimensions



Accessories

See Camera Accessories Guide