

## ***5MP, TRUE DAY/NIGHT, WDR, IR VANDAL DOME***



*Fixed Lens Vandal Dome*

### ***IPV5E28X***

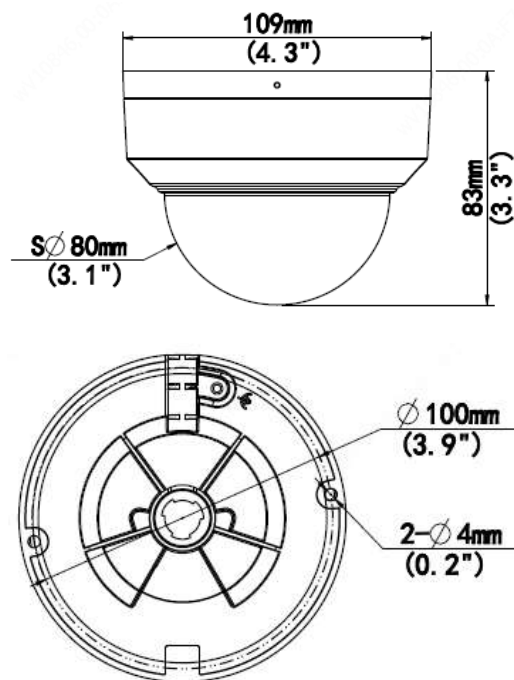
- > Fully Adheres to National Defense Authorization Act (NDAA) Guidelines
- > Exceptional Video Quality with 5MP, 2880 x 1620 Resolution
- > Super-Efficient H.265 Video Compression for Drastically Reduced Bandwidth and Storage Requirements
- > Powerful, Smart IR LED Lights for 0Lux Night Time Operation up to 98 Feet
- > 2.8mm fixed lens
- > TRUE Day/Night and WDR functionality for all Lighting Conditions
- > Built-in microphone, Corridor View, Backlight Compensation, 3D DNR (Digital Noise Reduction)
- > Privacy Mask and Motion Detection
- > Dual Video Streams, ONVIF Profile S Compliant
- > Ultra Motion Detection, Cross Line, Intrusion, Tampering, Audio and Motion Detection
- > Built in Micro SD Card Slot enables local storage up to 256GB
- > PoE & 12VDC Power Options and Optional Mounts Available
- > IP67 Weather Resistant and IK10 Vandal Resistant Rated Vandal Housing
- > Supported by uniview tec Guard Station Software and Guard Viewer Mobile App's for iPhone and Android Devices

[www.univiewtechnology.com](http://www.univiewtechnology.com)

## Specifications

Camera	
Sensor	1/2.7", progressive scan, 5 megapixel, CMOS
Lens	2.8mm @ F1.6
Angle of View (H x V)	112.9° x 59.1°
Shutter	Auto/Manual, 1 ~ 1/100000 s
Minimum Illumination	Color: 0.003 Lux (F1.6, AGC ON); 0 Lux with IR
Day/Night	IR-cut filter with auto switch (ICR)
Digital noise reduction	2D/3D DNR
Signal / Noise Ratio	>52dB
IR LED Range	Up to 30m (98 ft) IR range
WDR	120dB
Video Compression	H.265, H.264, MJPEG
H.264 code profile	Baseline profile, Main Profile, High Profile
Maximum Frame Rate / Stream	Main: 5MP (2880 x 1620) @ 25fps; 2560x1440 @ 25fps; 3MP (2304x1296) @ 30fps; 2MP (1920x1080) @ 30fps Sub: 720P (1280 x 720) @ 30fps; D1 (720x567) @ 30fps; 640x360 @ 30fps
HLC, BLC; 9:16 Corridor, Defog	Supported
OSD, Privacy Mask, Motion Detection & ROI	Up to 8 areas
Network	
Protocols	IPv4, IGMP, ICMP, ARP, TCP, UDP, DHCP, RTP, RTSP, RTCP, RTMP, DNS, DDNS, NTP, FTP, UPnP, HTTP, HTTPS, SMTP, SSL, 802.1x, SNMP
Compatible Integration	ONVIF (Profile G, S, T), API
Network	RJ45, 10M/100M Base-TX Ethernet
Smart Intrusion Prevention	Ultra Motion Detection, Cross Line, Intrusion, Audio, Tampering, Motion
Local & Network Storage	Micro-SD, up to 256GB; ANR
General	
Power	12VDC +/-25%, PoE (IEEE802.3 af); Power consumption: Max 4.5W
Dimensions (Ø x H) & Weight	Ø109 x 83 mm (Ø4.3" x 3.3"); 0.36kg (0.79lb)
Audio	Built-in Microphone
Operating Temperature & Humidity	-30°C ~ +60°C (-22°F ~ 140°F); Humidity: 10%~ 95% RH (non-condensing)
Conformity Certifications	IP67, IK10; CE, FCC

## Dimensions



## Accessories

See Camera Accessories Guide