

5MP, INTELLIGENT, COLOR HUNTER, FIXED TURRET



Fixed Lens Turret

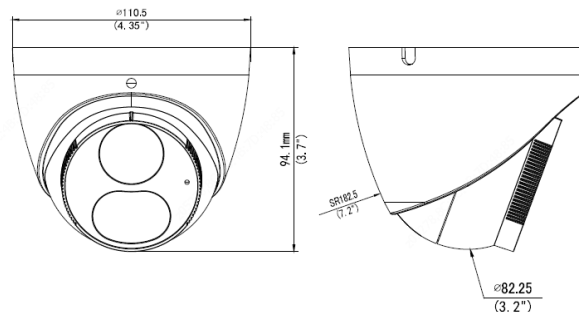
IPT5C28X

- > Fully Adheres to National Defense Authorization Act (NDAA) Guidelines
- > Exceptional Video Quality with 5MP, 2880 x 1620 Resolution
- > Super-Efficient H.265 Video Compression for Drastically Reduced Bandwidth and Storage Requirements
- > Color Hunter technology with White LED's ensures 24-hour full-color images up to 98 feet
- > 2.8mm fixed lens, TRUE Day/Night and WDR functionality for all Lighting Conditions
- > Built-in Microphone, Corridor, Backlight Compensation and 3D DNR (Digital Noise Reduction)
- > Triple Video Streams & ONVIF Profile S Compliant
- > Intelligent, smart intrusion prevention technology for significantly reduced false alarms when focusing on humans and motor vehicles
- > PoE & 12VDC Power Options and Built-in Micro-SD Card Slot enables local storage up to 256GB
- > IP67 Weather Resistant Housing, and Optional Mounts Available
- > Supported by uniview tec Guard Station Software and Guard Viewer Mobile App's for iPhone and Android Devices

Specifications

Camera	
Sensor	1/2.7", progressive scan , 5 megapixel, CMOS
Lens	2.8mm @ F1.0
Angle of View (H x V)	102.0° x 53.4°
Shutter	Auto/Manual, 1 ~ 1/100000 s
Minimum Illumination	Color: 0.001 Lux (F1.0, AGC ON); 0 Lux with IR
Day/Night	IR-cut filter with auto switch (ICR)
Digital noise reduction	2D/3D DNR
White LED Range	Up to 30m (98 ft)
WDR	120dB
Video Compression	H.265, H.264, MJPEG
H.264 code profile	Baseline profile, Main Profile, High Profile
Maximum Frame Rate / Stream	Main Stream: 5MP (2880 × 1620) @ 30fps Sub Stream: 720P (1280 × 720) @ 30fps Third Stream: D1 (720 × 576) @ 30fps
HLC, BLC, Defog, Corridor 9:16 Mode	Supported
OSD, Privacy Mask, Motion Detection & ROI	Up to 8 areas
Network	
Protocols	IPv4, IGMP, ICMP, ARP, TCP, UDP, DHCP, PPPoE, RTP, RTSP, RTCP, DNS, DDNS, NTP, FTP, UPnP, HTTP, HTTPS, SMTP, 802.1x, SNMP, QoS
Compatible Integration	ONVIF Profile S, API
Network	RJ45, 10M/100M Base-TX Ethernet
Intelligent Perimeter Protection	Ultra Motion Detection, Cross Line, Intrusion, Enter Area, Leave Area, Face Detection, People Flow Counting, Crowd Density Monitoring; Motion Detection, Tampering, Audio Detection
Local Storage	Micro-SD, up to 256GB
Network Storage	Automatic Network Replenishment (ANR)
General	
Power	12VDC +/- 25%, PoE (IEEE802.3 af); Power consumption: Max 7.5W
Audio & Compression	Built in microphone; G.711
Dimensions (L x W x H) & Weight	Φ110.5 x 94.1mm (Ø4.4 x 3.7"); 0.44kg (0.97lb)
Operating Temperature & Humidity	-30°C ~ +60°C (-22°F ~ 140°F); Humidity: 10%~95% RH (non-condensing)
Conformity Certifications	IP67, CE, FCC

Dimensions



Accessories

See Camera Accessories Guide