

4MP, TRUE DAY/NIGHT, WDR, IR TURRET DOME



Fixed Lens Turret Dome

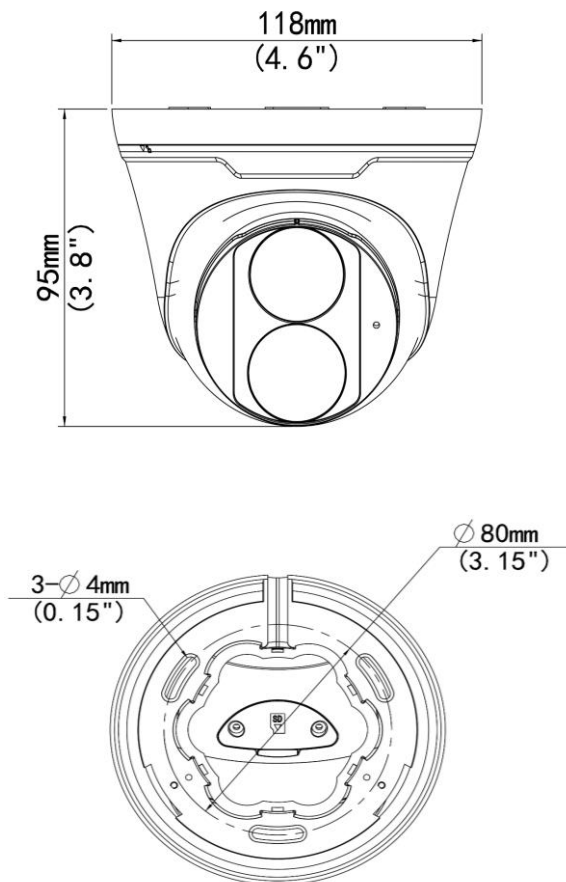
IPT4E28X

- > Fully Adheres to National Defense Authorization Act (NDAA) Guidelines
- > Exceptional Video Quality with 4MP, 2688 x 1520 Resolution
- > Super-Efficient H.265 Video Compression for Drastically Reduced Bandwidth and Storage Requirements
- > Powerful, Smart IR LED Lights for 0Lux Night Time Operation up to 98 Feet
- > 2.8mm fixed lens
- > TRUE Day/Night and WDR functionality for all Lighting Conditions
- > Corridor Mode, Backlight Compensation, 3D DNR (Digital Noise Reduction)
- > Built-In Microphone
- > Built-in Micro-SD Card Slot enables local storage up to 256GB
- > ONVIF Profile S Compliant
- > Ultra Motion Detection, Cross Line, Intrusion, Tampering, Audio and Motion Detection
- > PoE & 12VDC Power Options
- > IP67 Weather Resistant Housing and Optional Mounts Available
- > Supported by uniview tec Guard Station Software and Guard Viewer Mobile App's for iPhone and Android Devices

Specifications

Camera	
Sensor	1/3", progressive scan , 4 megapixel, CMOS
Lens	2.8mm @ F1.6
Angle of View (H x V)	101.1° x 55.3°
Shutter	Auto/Manual, 1 ~ 1/100000 s
Minimum Illumination	Color: 0.003 Lux (F1.6, AGC ON); 0 Lux with IR
Day/Night	IR-cut filter with auto switch (ICR)
Digital noise reduction	2D/3D DNR
Signal / Noise Ratio	>56dB
IR LED Range	Up to 30m (98 ft) IR range
WDR	120dB
Video Compression	H.265, H.264, MJPEG
H.264 code profile	Baseline profile, Main Profile, High Profile
Maximum Frame Rate / Stream	Main: 4MP (2688 x 1520) @ 25fps, 4MP (2560x1440) @ 25fps, 3MP (2305x1296) @ 30fps, 2MP (1920x1080) @ 30fps Sub: 720P (1280 x 720) @ 30fps, D1 (720x576) @ 30fps, 640x360 @ 30fps
HLC, BLC, 9:16 Corridor, Defog, Flip	Supported
OSD, Privacy Mask, Motion Detection & ROI	Up to 8 areas
Network	
Protocols	IPv4, IGMP, ICMP, ARP, TCP, UDP, DHCP, RTP, RTSP, RTCP, RTMP, DNS, DDNS, NTP, FTP, UPnP, HTTP, HTTPS, SMTP, SSL, 802.1x, SNMP
Compatible Integration	ONVIF (Profile S, Profile T), API
Network	RJ45, 10M/100M Base-T X Ethernet
Smart Intrusion Prevention	Ultra Motion Detection, Cross-Line, Intrusion, Motion, Audio Detection & Tampering Alarm
Local Storage	Micro-SD, up to 256GB
Network Storage	Automatic Network Replenishment (ANR)
General	
Power	12 V DC, PoE (IEEE802.3 af); Power consumption: Max 6W
Dimensions (Ø x H) & Weight	Φ118 x 95mm (Ø4.6 x 3.8"); 0.35kg (0.77lb)
Audio & Compression	Built-in Mic; G.711 Compression
Operating Temperature & Humidity	-30°C ~ +60°C (-22°F ~ 140°F); Humidity: 10%~ 95% RH (non-condensing)
Conformity Certifications	IP67, CE, FCC

Dimensions



Accessories

See Camera Accessories Guide