

4K (8MP), TRUE DAY/NIGHT, WDR, IR, BULLET



Fixed Lens Bullet

IPB4KE28X

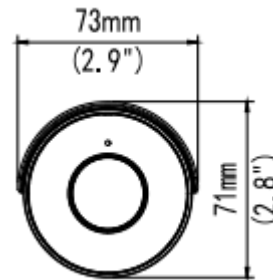
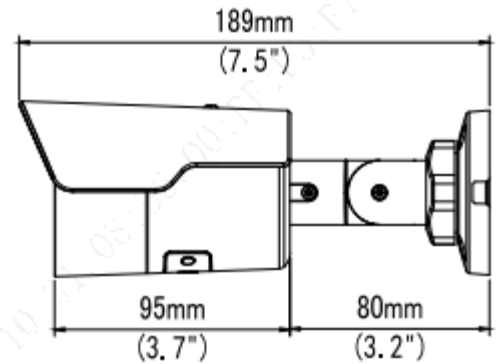
- > Fully Adheres to National Defense Authorization Act (NDAA) Guidelines
- > Exceptional Video Quality with 4K (8MP), 3840 x 2160 Resolution
- > Super-Efficient H.265 Video Compression for Drastically Reduced Bandwidth and Storage Requirements
- > Powerful, Smart IR LED Lights for 0Lux Night Time Operation up to 164 Feet
- > 2.8 fixed, wide-angle lens
- > TRUE Day/Night and WDR functionality for all Lighting Conditions
- > Built-in Microphone, Backlight Compensation, Corridor Mode, Defog and 3D DNR (Digital Noise Reduction)
- > Dual Video Streams & ONVIF Profile S Compliant
- > Ultra Motion Detection, Cross Line, Intrusion, Tampering, Audio and Motion Detection
- > PoE & 12VDC Power Options, & Built-in Micro-SD Card Slot enables local storage up to 256GB
- > IP67 Weather Resistant Housing, 3-Way Axis & Optional Mounts Available
- > Supported by uniview tec Guard Station Software and Guard Viewer Mobile App's for iPhone and Android Devices

www.univiewtechnology.com

Specifications

Camera	
Sensor	1/2.7", progressive scan , 8 megapixel, CMOS
Lens	2.8mm @ F1.6
Angle of View (H x V)	112.9° x 59.1°
Shutter	Auto/Manual, 1 ~ 1/100000 s
Minimum Illumination	Color: 0.005 Lux (F1.6, AGC ON); 0 Lux with IR
Day/Night	IR-cut filter with auto switch (ICR)
Digital noise reduction	2D/3D DNR
IR LED Range	Up to 50m (164ft) IR range
WDR	120dB
Video Compression & Bit Rate	H.265, H.264, MJPEG ; 128 Kbps ~ 16 Mbps
H.264 code profile	Baseline profile, Main Profile, High Profile
Maximum Frame Rate / Stream	Main: 8MP (3840*2160) @ 20fps; 5MP (3072x1728) @ 30fps; 4MP (2560x1440) @ 30fps; 2MP (1920x1080) @30fps Sub: 1080P (1920*1080) @ 30fps; 720p (1280x720) @30fps; D1 (720x561) @30fps; 640x360 @ 30fps; 2CIF (704x288) @30fps ; CIF (352x288) @30fps
HLC, BLC, 9:16 Corridor, Flip, Defog	Supported
OSD, Privacy Mask, Motion Detection & ROI	Up to 8 areas
Network	
Protocols	IPv4, IGMP, ICMP, ARP, TCP, UDP, DHCP, RTP, RTSP, RTCP, DNS, DDNS, NTP, FTP, UPnP, HTTP, HTTPS, SMTP, SSL, QoS
Compatible Integration	ONVIF (Profile S, G, T), API
Network	RJ45, 10M/100M Base-TX Ethernet
Local & Network Storage	Micro-SD, up to 256GB; ANR
Video Analytics	Ultra Motion Detection, Cross Line, Intrusion, Motion, Tampering alarm, & Audio Detection
General	
Power	12VDC +/- 25%, PoE (IEEE802.3 af); Max 6.5W
Dimensions (L x W x H) & Weight	189 x 73 x 71mm (7.5 x 2.9 x 2.8"); 0.45kg (0.99lb)
Audio & Compression	Built-in Microphone; G.711
Adjustment Range	Pan: 0°~360° Tilt: 0° ~ 90° Rotation: 0°~360°
Operating Temperature & Humidity	-30°C ~ +60°C (-22°F ~ 140°F); Humidity: 10%~ 95% RH (non-condensing)
Conformity Certifications	IP67, CE, FCC

Dimensions



Accessories

See Camera Accessories Guide