

## ***4MP, TRUE DAY/NIGHT, WDR, IR, BULLET***



### ***4MP Fixed Lens Bullet***

## ***IPB4B28X***

- > Fully Adheres to National Defense Authorization Act (NDAA) Guidelines
- > Exceptional Video Quality with 4MP, 2560 x 1440 Resolution
- > Super-Efficient H.265 Video Compression for Drastically Reduced Bandwidth and Storage Requirements
- > Powerful, Smart IR LED Lights for 0 Lux Night Time Operation up to 98 Feet
- > 2.8mm fixed, wide-angle lens
- > TRUE Day/Night and WDR functionality for all Lighting Conditions
- > Backlight Compensation, Defog and 3D DNR (Digital Noise Reduction)
- > Dual Video Streams; ONVIF Profile S Compliant and built-in Microphone
- > Built-in Micro-SD Card Slot enables local storage up to 128GB
- > Motion Detection
- > 3-Way Axis, IP67 Weather Resistant Housing
- > PoE & 12VDC Power Options
- > Supported by uniview tec Guard Station Software and Guard Viewer Mobile App's for iPhone and Android Device

[www.univiewtechnology.com](http://www.univiewtechnology.com)



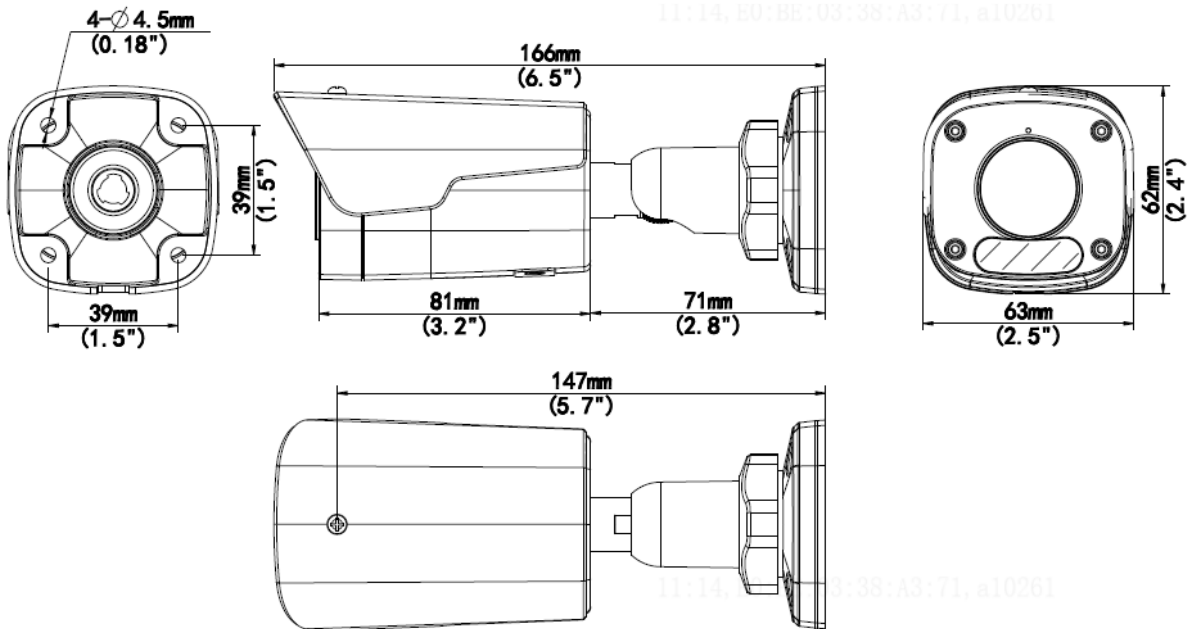
UVT70250124-00

## Specifications

Camera				
Sensor	1/2.9" 4MP, progressive scan CMOS			
Minimum illumination	Color: 0.01 lux (F2.0, AGC ON); 0 lux with IR on			
True Day / Night	IR-cut filter with auto switch (ICR)			
Shutter	Auto / Manual, 1 ~ 1/100000s			
Adjustment angle (3-way Axis)	Pan: 0° ~ 360°; Tilt: 0° ~ 90°; Rotate: 0° ~ 360°			
WDR	120dB			
S/N	>52dB			
Lens				
Lens	2.8mm @ F2.0			
Iris	Fixed			
Field of View (H)	101.5°			
Field of View (V)	55.6°			
Field of View (O)	111.6°			
DORI				
DORI Distance	Detect (m)	Observe (m)	Recognize (m)	Identify (m)
	63	25.2	12.6	6.3
Illuminator				
IR Range	Up to 30m (98ft) IR range			
Wavelength	850nm			
IR On/Off Control	Auto/Manual			
Video				
Video Compression	H.265, H.264, MJPEG			
H.264 code profile	Baseline profile, Main profile, High profile			
Frame Rate	Main Stream: 4MP (2560 x 1440), Max 25fps; 3MP (2304 x 1296), Max 30fps; 1080P (1920 x 1080), Max 30fps; 720P (1280 x 720), Max 30fps Sub Stream: D1 (720 x 576), Max 30fps; 640 x 360, Max 30fps; 2CIF (704 x 288), Max 30fps; CIF (352 x 288), Max 30fps			
Video Bit Rate	128 Kbps~16 Mbps			
U-code	Supported			
OSD	Up to 4 OSDs			
Privacy Mask	Up to 4 areas			
ROI	Up to 8 areas			
Video Stream	Dual			
Image				
White Balance	Auto / Outdoor / Fine Tune / Sodium Lamp / Locked / Auto2			

Digital Noise Reduction	2D / 3D DNR
Smart IR	Supported
Flip	Normal / Vertical / Horizontal / 180° / 90°Clockwise / 90°Anti-clockwise
HLC	Supported
BLC	Supported
Defog	Digital Defog
<b>Intrusion Events</b>	
Basic Detection	Motion detection, tampering alarm, audio detection
General Function	Watermark, IP address filtering, tampering alarm, alarm input, alarm output, access policy, ARP protection, RTSP authentication, user authentication
<b>Storage</b>	
Edge Storage	Micro SD, up to 128GB
Network Storage	ANR
<b>Network</b>	
Protocols	IPv4, IGMP, ICMP, ARP, TCP, UDP, DHCP, RTP, RTSP, RTCP, RTMP, DNS, DDNS, NTP, FTP, UPnP, HTTP, HTTPS, SMTP, QoS, SSL/TLS, SNMP
Compatible Integration	ONVIF (Profile S, Profile G, Profile T), API
User/Host	Up to 32 users. 2 user levels: administrator and common user
Security	Password protection, Strong password, HTTPS encryption, Export operation logs, Basic and digest authentication for RTSP, Digest authentication for HTTP, TLS 1.2, WSSE and digest authentication for ONVIF
Client	Guard Station, Guard Viewer
Web Browser	Plug-in required live view: IE 10 and above, Chrome 45 and above, Firefox 52 and above, Edge 79 and above; Plug-in free live view: Chrome 57.0 and above, Firefox 58.0 and above, Edge 16 and above
<b>Interface</b>	
Built-in Mic	Support
Network	1 * RJ45 10M/100M Base-TX Ethernet
<b>General</b>	
Power	DC 12V±25%, PoE (IEEE 802.3af); Power consumption: Max 5.5W
Power Interface	Ø 5.5mm coaxial power plug
Dimensions (Ø × H)	166 x 63 x 62mm (6.5" x 2.5 x 2.5")
Weight	0.39kg (0.86lb)
Working Environment	-30°C ~ 60°C (-22°F ~ 140°F), Humidity: ≤95% RH (non-condensing)
Surge Protection	4KV
Conformity Certifications	IP67, CE, FCC

## Dimensions



## Accessories

See Camera Accessories Guide