

64ch, 32MP Resolution, H.265 NVR



64ch NVR

NR648XC

- > Fully Adheres to National Defense Authorization Act (NDA) Guidelines
- > 64ch network recorder with H.265 Compression for Best-in-Class Recording and Storage Capability
- > Supports 8 SATA HDD up to 12TB and Supports recording of up to 32MP Resolution Images
- > Display Images up to 4K(8MP) Resolution on both HDMI Outputs
- > Two HDMI and Two VGA Outputs: VGA1 and HDMI1 Concurrent, Independent Outputs; VGA2 and HDMI2 Concurrent, Independent Outputs
- > ONVIF Profile Series S Compliant
- > Easy Plug and Play Functionality with Automatic Device Discovery and Display
- > Supports Cloud Upgrade for NVR and Cameras, with Automatic Detection of Latest Firmware and Upgrades
- > Supports HDD Hot Swap and RAID Storage, and Features Automatic Network Recovery (ANR) Technology to enhance storage reliability when network is disconnected
- > Supported by uniview tec Guard Station Client Software and Guard Viewer Mobile App's for iPhone and Android Devices

www.univiewtechnology.com

Specifications

Video & Audio Inputs	
IP Video Input	64-ch
Audio Input	1-ch, RCA
Network	
Incoming Bandwidth	384Mbps
Outgoing Bandwidth	384Mbps
Remote Users	128
Protocols	TCP/IP; P2P; UPnP; NTP; DHCP; PPPoE; HTTP; HTTPS; DNS; DDNS; SNMP; SMTP; NFS; RTSP; 802.1x; IPV6
Supported Browsers	IE(IE10/11) for Windows; Firefox (version 52.0 and above) for Windows; Chrome(version 45 and above) for Windows; Edge(version 79 and above) for Windows
Video & Audio Outputs	
HDMI / VGA Output	HDMI 1 / HDMI 2: 3840 x 2160 / 60Hz, 3840 x 2160 / 30Hz, 1920 x 1080p / 60Hz, 1920 x 1080p / 50Hz, 1600 x 1200 / 60Hz, 1280 x 1024 / 60Hz, 1280 x 720 / 60Hz, 1024 x 768 / 60Hz VGA 1 / VGA 2: 1920 x 1080p / 60Hz, 1920 x 1080p / 50Hz, 1600 x 1200 / 60Hz, 1280 x 1024 / 60Hz, 1280 x 720 / 60Hz, 1024 x 768 / 60Hz
Recording Resolution	32MP / 16MP / 12MP / 8MP / 6MP / 5MP / 4MP / 3MP / 1080p / 960p / 720p / D1 / 2CIF / CIF
Audio Output	2-ch, RCA
Audio Compression	G.711A, G.711U
Synchronous Playback	16-ch
Live view display	HDMI 1 / VGA 1: 1 / 4 / 6 / 8 / 9 / 16 / 25 / 36 / 64; HDMI 2 / VGA 2: 1 / 4 / 6 / 8 / 9 / 16 / 25 / 36
Corridor Mode Screen	3 / 4 / 5 / 7 / 9 / 10 / 12 / 16 / 32
Snapshot	
FTP/Schedule/Event Snapshot	16-ch snapshot, up to 1080p resolution
Decoding	
Decoding format	Ultra 265 / H.265 / H.264
Live view/Playback	32MP / 16MP / 12MP / 8MP / 6MP / 5MP / 4MP / 3MP / 1080p / 960p / 720p / D1 / 2CIF / CIF
Capability	Ultra 265 / H.265: 2 x 32MP @ 30, 4 x 16MP @ 30, 5 x 12MP @ 30, 8 x 4K @ 30, 16 x 4MP @ 30, 32 x 1080P @ 30, 54 x 960P @ 25, 64 x 720P @ 30
Hard Disk Drives	
SATA	8 SATA Interfaces

Capacity	Up to 12TB for each HDD
Smart Features	
VCA Detection by Camera	Face Detection; Face Comparison; Vehicle Detection; SIP(Intrusion Detection, Cross Line Detection, Enter Area, Leave Area); Ultra Motion Detection (UMD); Temperature Detection (Fire Detection, Smoking Detection, Temperature Measurement, Smoke and Fire Detection); People Counting (People Flow Counting, Crowd Density Monitoring); Video Metadata; Traffic Monitoring
VCA Search	Face Snapshot Search; Face Comparison Search; Motor Vehicle Search; Non-Motor Vehicle Search; Human Body Search; General Search; People Counting Report; Heat Map
Smart by IPC	Total 16-ch (Face Detection, Face Comparison, Vehicle Detection, Temperature Detection, SIP, UMD, Video Metadata, Traffic Monitoring)
Face Picture Library	Up to 128 face picture libraries,with up to 500,000 face pictures in total
Vehicle Picture Library	Up to 5 vehicle picture libraries,with up to 25,000 vehicle pictures in total
System Alarm	
General Alarm	Defocus Detection, Scene Change Detection, Object Left Behind, Object Removed, Auto Tracking, Motion, Tampering, Human Body Detection, Video Loss, Alarm Input, Audio Detection
Alert Alarm	IP Conflict, Network Disconnected, Disk Offline , Disk Abnormal, Illegal Access, Hard Disk Space Low, Hard Disk Full, Recording / Snapshot Abnormal
GUI Languages	
Languages	38 languages: Simplified Chinese, Traditional Chinese, English, Vietnamese, Thai, Turkish, Spanish (Latin America), Portuguese (Brazil), Spanish, Portuguese, French, German, Italian, Dutch, Polish, Czech, Hungarian, Slovak, Russian, Hebrew, Arabic, Ukrainian, Estonian, Bulgarian, Greek, Romanian, Danish, Swedish, Norwegian, Finnish, Croatian, Slovenia, Serbia, Korean, Japanese, Latvian, Lithuanian, Persian
External Interface	
Network Interface	2 x RJ45 10M/100M/1000M self-adaptive Ethernet Interface
USB Interface	Front panel: 2 x USB2.0; Rear panel: 2 x USB3.0
RS232	1
RS485	1
Alarm In	16-ch
Alarm Out	10-ch
General	
Power Supply	100~240V AC; Power Consumption: ≤ 50W (without HDD)
Working Environment	-10°C ~ + 55°C (+14°F ~ +131°F), Humidity ≤ 90% RH(non-condensing)
Dimensions (W × D × H)	442 × 448 × 93mm (17.4 × 17.6 × 3.7")
Weight (without HDD)	≤ 6Kg (13.23lb)
General	
Certifications	FCC, CE (UL – Power Supply only)

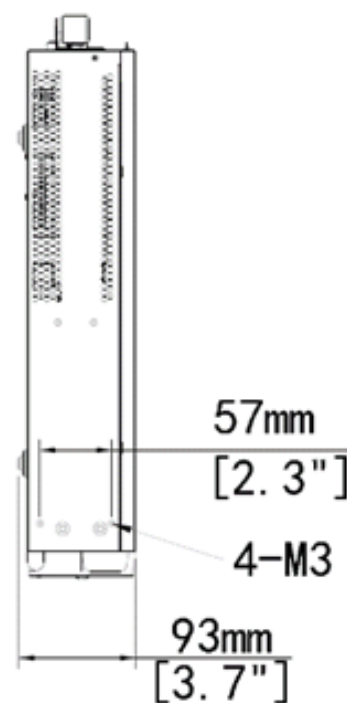
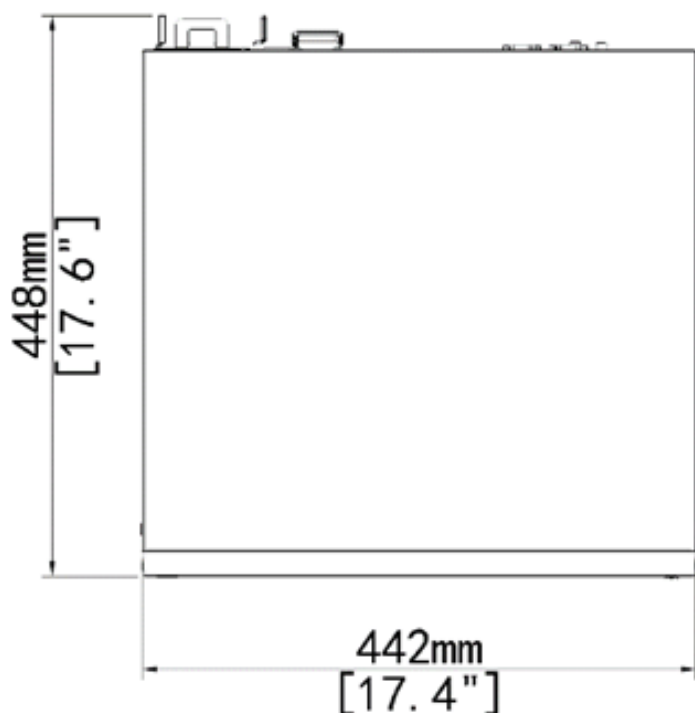
Accessories

LB3L	NVR Lockbox
4KTESTMON1	Multi-Function Video Test Monitor
NSW08PX	8-Port PoE Switch
NSW162PX	16-Port PoE Switch
NSW242PX	24-Port PoE Switch
PWR-DC12-350A-IN	Redundant Power Supply

Models

NR648XC-32T	NR648XC-40T
NR648XC-50T	NR648XC-60T
NR648XC-70T	NR648XC-80T

Dimensions



Rear Panel View

