

16MP, 180° PANORAMIC, LIGHTHUNTER BULLET



180° Panoramic Bullet

(Wall Mount Not Included)

IPBP16180

- > 4 x 4MP CMOS Sensors with 2.8mm fixed lens, provides a stitched 16MP 180° panoramic view
- > Exceptional Video Quality with 13MP, 4800 x 2688 Resolution @ 30fps in the main stream
- > LightHunter illumination technology ensures ultra-high color image up to 0.001 Lux
- > Super-Efficient H.265 Video Compression for Drastically Reduced Bandwidth and Storage Requirements
- > Powerful, Smart IR LED Lights for 0Lux Night Time Operation up to 164 Feet
- > TRUE Day/Night and Digital WDR functionality for all Lighting Conditions
- > Triple Video Streams; Backlight Compensation, 3D DNR, Two-way Audio; ONVIF Profile S Compliant
- > Built-in fan allows dissipating heat and window mist elimination
- > Built-in Micro-SD Card Slot enables local storage up to 512GB
- > General event functionality features such as Tampering, Watermark, Alarm input / output
- > 3-Way Axis, IP67 Weather Resistant; PoE & 24VDC / 24VAC Power Options
- > Supported by uniview tec Guard Station Software and Guard Viewer Mobile App's for iPhone and Android Device

www.univiewtechnology.com

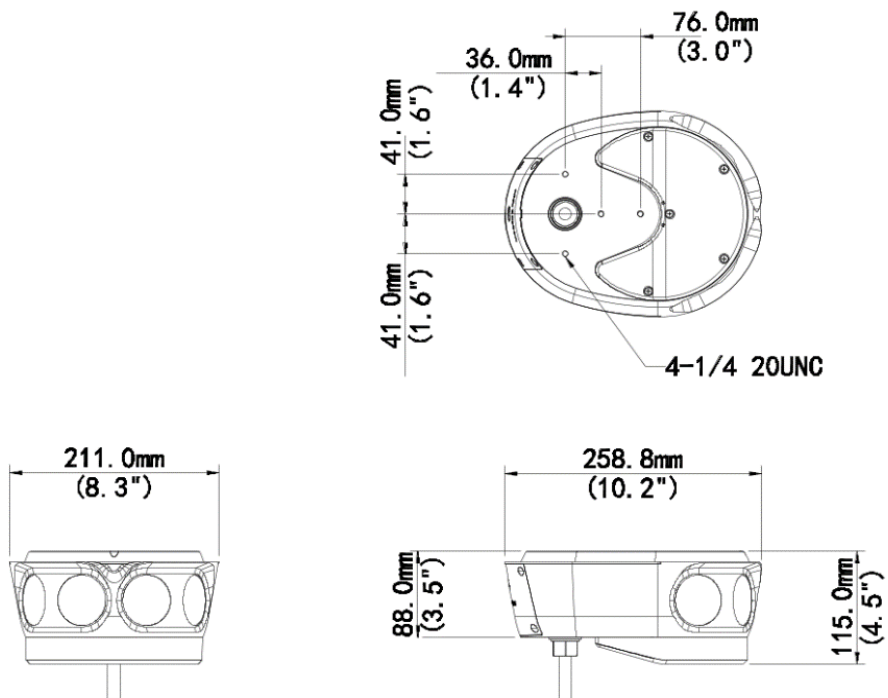
Specifications

Camera				
Sensor	4 x 1/1.8" CMOS sensors			
Minimum illumination	Color: 0.001 lux (F1.6 AGC ON); 0 Lux with IR			
Day / Night	IR-cut filter with auto switch (ICR)			
Shutter	Auto / Manual, 1 ~ 1/100000s			
WDR	Digital			
S/N	>56dB			
Lens				
Lens	Fixed 2.8mm			
Iris	F1.6			
Field of View (H)	180°			
Field of View (V)	90°			
Field of View (O)	221.4°			
DORI				
DORI Distance	Detect	Observe	Recognize	Identify
	63m (206.7ft)	25.2m (82.7ft)	12.6m (41.3ft)	6.3m (20.7ft)
Illuminator				
IR Illumination Distance	Up to 50m (164ft) IR range			
IR On / Off Control	Auto / Manual			
Wavelength	850nm			
Video				
Video Compression	Ultra 265, H.265, H.264, MJPEG			
Frame Rate	Main Stream: 4800 x 2688, Max 30fps Sub Stream: 2688 x 1520, Max 30fps Third Stream: 1280 x 720, Max 30fps;			
Video Bit Rate	128 Kbps~16 Mbps			
U-code	Supported			
OSD	Up to 8 OSDs			
Privacy Mask	Up to 8 areas			
ROI	Up to 8 areas			
Video Stream	Triple streams			
OSD	Up to 10 OSD's			
Image				
White Balance	Auto / Outdoor / Fine Tune / Sodium Lamp / Locked / Auto2			
Digital Noise Reduction	2D / 3D DNR			
Smart Illumination	Supported			

Flip	Normal; Flip Vertical; Flip Horizontal; 180°
HLC	Supported
BLC	Supported
Defog	Digital Defog
Events	
Basic Detection	Motion detection, Tampering alarm, Audio detection
General Function	Watermark; IP Address Filtering; Alarm input; Alarm output; Access Policy; ARP Protection; RTSP Authentication; User Authentication; HTTP Authentication
Audio	
Audio Compression	G.711U; G.711A
Audio Bitrate	128 Kbps
Two-way Audio	Supported
Suppression	Supported
Sampling Rate	16KHZ
Storage	
Edge Storage	Micro SD, up to 256GB
Network Storage	ANR
Network	
Protocols	SSH; IGMP; RTP; RTCP; SMTP; IPv4; IPv6; ICMP; ARP; TCP; UDP; DHCP; PPPoE; RTSP; RTMP; DNS; DDNS; NTP; FTP; UPnP; HTTP; HTTPS; 802.1x; SNMP; QoS; SSL/TLS
Compatible Integration	ONVIF (Profile S, Profile G, Profile T), API
User/Host	Up to 32 users. 3 user levels: administrator, common user and operator
Security	TLS1.3; Password protection; Strong password; HTTPS encryption; Export operation logs; Basic and digest authentication for RTSP; Digest authentication for HTTP; TLS 1.2; WSSE and digest authentication for ONVIF
Client	Guard Station, Guard Viewer
Web Browser	Plug-in required live view: IE 10 and above, Chrome 45 and above, Firefox 52 and above, Edge 79 and above; Plug-in free live view: Chrome 57.0 and above, Firefox 58.0 and above, Edge 16 and above
Interface	
Audio I / O	1 Input: impedance 35kΩ; amplitude 2V [p-p]; 1 Output: impedance 600Ω; amplitude 2V [p-p]
Alarm I / O	2 / 1
Serial Port	1 x RS485 interface
Network	1 * RJ45 10M/100M/1000M Base-TX Ethernet
Conformity Certifications	
EMC	CE-EMC (EN 55032: 2015+A1:2020,EN 61000-3-3: 2013+A1: 2019,EN IEC 61000-3-2: 2019+A1: 2021,EN 55035: 2017+A11:2020) FCC (FCC CFR 47 part15 B, ANSI C63.4-2014)
Safety	CE LVD (EN 62368-1:2014+A11:2017) UL (UL 62368-1, 2nd Ed., Issue Date: 2014-12-01)
Environment	CE-RoHS (2011/65/EU;(EU)2015/863); WEEE (2012/19/EU); Reach (Regulation (EC) No 1907/2006)

Protection	IP67 (IEC 60529:1989+AMD1:1999+AMD2:2013)
General	
Power	AC 24V ±25%, DC 24V ±25%, PoE (IEEE 802.3af); Power consumption: Max 27W
Power Interface	Two-core terminal block
Dimensions (Ø × H)	258.8 × 211 × 115mm (10.2 × 8.3 × 4.5")
Weight	2.27kg (5lb)
Working Environment	-40°C ~ 70°C (-40°F ~ 158°F), Humidity: ≤95% RH (non-condensing)
Surge Protection	6KV
Reset Button	Support

Dimensions



Accessories

See Camera Accessories Guide