

4MP, WDR, IR, MVF LENS TURRET



Motorized Varifocal Lens Turret

IPT4B212MX

- > Fully Adheres to National Defense Authorization Act (NDAA) Guidelines
- > Exceptional Video Quality with 4MP, 2688 x 1520 Resolution
- > Super-Efficient H.265 Video Compression for Drastically Reduced Bandwidth and Storage Requirements
- > Powerful, Smart IR LED Lights for 0 Lux Night Time Operation up to 131 Feet
- > 2.8 ~ 12mm motorized varifocal, automatic focus lens
- > TRUE Day/Night and WDR functionality for all Lighting Conditions
- > Backlight Compensation, Corridor View, Defog and 3D DNR (Digital Noise Reduction)
- > Dual Video Streams; ONVIF Profile S Compliant and built-in Microphone
- > Built-in Micro-SD Card Slot enables local storage up to 256GB
- > Intrusion Detection Analytics
- > 3-Way Axis, IP67 Weather Resistant Housing
- > PoE & 12VDC Power Options
- > Supported by uniview tec Guard Station Software and Guard Viewer Mobile App's for iPhone and Android Device

www.univiewtechnology.com

Specifications

Camera				
Sensor	1/3" 4MP, progressive scan CMOS			
Minimum illumination	Color: 0.003 lux (F1.6, AGC ON); 0 lux with IR on			
True Day / Night	IR-cut filter with auto switch (ICR)			
Shutter	Auto / Manual, 1 ~ 1/100000s			
Adjustment angle (3-way Axis)	Pan: 0° ~ 360°; Tilt: 0° ~ 75°; Rotate: 0° ~ 360°			
WDR	120dB			
S/N	>52dB			
Lens				
Lens	2.8 ~ 12mm varifocal, automatic focusing and motorized zoom lens			
Iris	Fixed			
Field of View (H)	86.3° ~ 35.2°			
Field of View (V)	47.1° ~ 17.0°			
Field of View (O)	91.9° ~ 38.6°			
DORI				
DORI Distance	Detect (m)	Observe (m)	Recognize (m)	Identify (m)
2.8mm	63	25.2	12.6	6.3
12mm	270	108	54	270
Illuminator				
IR Range	Up to 40m (131ft) IR range			
Wavelength	850nm			
IR On/Off Control	Auto/Manual			
Video				
Video Compression	Ultra 265, H.265, H.264, MJPEG			
H.264 code profile	Baseline profile, Main profile, High profile			
Frame Rate	Main Stream: 4MP (2688 x 1520), Max 25fps; 4MP (2560 x 1440), Max 25fps; 3MP (2304 x 1296), Max 30fps; 1080P (1920 x 1080), Max 30fps; 720P (1280 x 720), Max 30fps Sub Stream: 720P (1280 x 720), Max 30fps; D1 (720 x 576), Max 30fps; 640 x 360, Max 30fps			
Video Bit Rate	128 Kbps~16 Mbps			
U-code	Supported			
OSD	Up to 4 OSDs			
Privacy Mask	Up to 4 areas			
ROI	Up to 8 areas			
Video Stream	Dual			

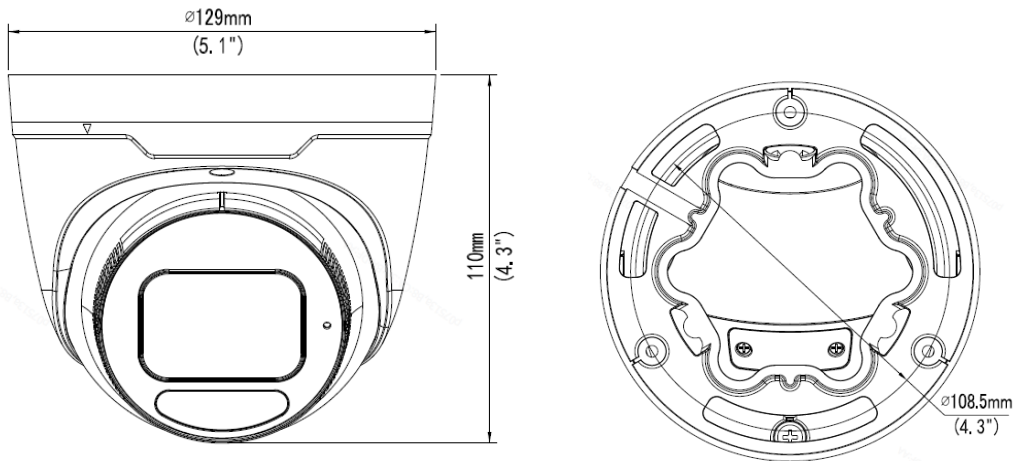
IPT4B212MX TURRET

IP CAMERAS

Image	
White Balance	Auto / Outdoor / Fine Tune / Sodium Lamp / Locked / Auto2
Digital Noise Reduction	2D / 3D DNR
Smart IR	Supported
Flip	Normal / Vertical / Horizontal / 180° / 90°Clockwise / 90°Anti-clockwise (Corridor View)
HLC	Supported
BLC	Supported
Defog	Digital Defog
Intrusion Events	
Basic Detection	Cross line, intrusion (based on human body detection), Motion detection, Tampering alarm, Audio Detection
General Function	Watermark, IP Address Filtering, Access Policy, ARP Protection, RTSP Authentication, User Authentication, HTTP authentication
Audio	
Compression	G.711U, G.711A
Bitrate	64 Kbps
Suppression	Supported
Sampling Rate	8KHZ
Storage	
Edge Storage	Micro SD, up to 256GB
Network Storage	ANR
Network	
Protocols	IPv4, IPv6, IGMP, ICMP, ARP, TCP, UDP, DHCP, RTP, RTSP, RTCP, DNS, DDNS, NTP, FTP, UPnP, HTTP, HTTPS, SMTP, SNMP, QoS, RTMP, SSL/TLS
Compatible Integration	ONVIF (Profile S, Profile G, Profile T), API
User/Host	Up to 32 users. 2 user levels: administrator and common user
Security	Password protection, Strong password, HTTPS encryption, Export operation logs, Basic and digest authentication for RTSP, Digest authentication for HTTP, TLS 1.2, WSSE and digest authentication for ONVIF
Client	Guard Station, Guard Viewer
Web Browser	Plug-in required live view: IE 10 and above, Chrome 45 and above, Firefox 52 and above, Edge 79 and above; Plug-in free live view: Chrome 57.0 and above, Firefox 58.0 and above, Edge 16 and above
Interface	
Built-in Mic	Support
Network	1 x RJ45 10M/100M Base-TX Ethernet
General	
Power	DC 12V±25%, PoE (IEEE 802.3af); Power consumption: Max 7.5W
Power Interface	Ø 5.5mm coaxial power plug
Dimensions (Ø × H)	Ø129 x 110mm (Ø5.1 x 4.3")
Weight	0.66kg (1.46lb)
Working Environment	-30°C ~ 60°C (-22°F ~ 140°F), Humidity: ≤95% RH (non-condensing)

Surge Protection	6KV
Conformity Certifications	IP67, CE, FCC

Dimensions



Accessories

See Camera Accessories Guide