

## **5MP, PANORAMIC 180° LENS, WDR, AI, IR TURRET**



### *Panoramic 180° Lens Turret*

## ***IPT5180X***

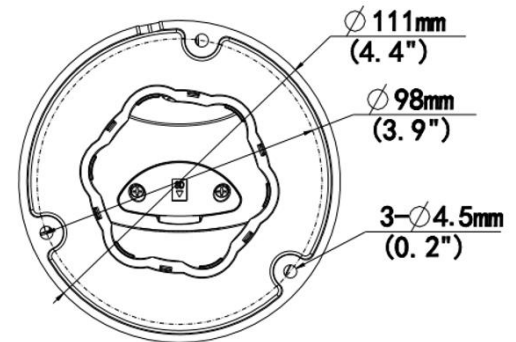
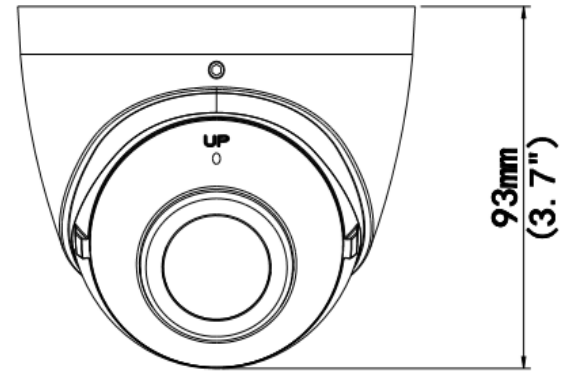
- > Fully Adheres to National Defense Authorization Act (NDAA) Guidelines
- > Exceptional Video Quality with 5MP, 2880 x 1620 Resolution
- > Super-Efficient H.265 Video Compression for Drastically Reduced Bandwidth and Storage Requirements
- > Powerful, Smart IR LED Lights for 0Lux Night Time Operation up to 66 Feet
- > Panoramic 1.68mm, 180° lens; ONVIF Profile S Compliant
- > TRUE Day/Night and WDR functionality for all Lighting Conditions
- > Built-in Microphone, Triple Video Streams, Defog, Dewarping, Backlight Compensation and 3D DNR
- > Intelligent perimeter protection such as cross line and intrusion, with smart intrusion prevention technology for significantly reduced false alarms when focusing on humans and motor vehicles
- > PoE & 12VDC Power Options and Optional Mounts Available
- > Built-in Micro-SD Card Slot enables local storage up to 256GB
- > 3-way Axis, IP67 Weather Resistant and IK10 Vandal Resistant Housing
- > Supported by uniview tec Guard Station Software and Guard Viewer Mobile App's for iPhone and Android Devices

[www.univiewtechnology.com](http://www.univiewtechnology.com)

## Specifications

Camera	
Sensor	1/2.7", progressive scan , 5 megapixel, CMOS
Lens	Panoramic 1.68mm @ F2.0
Angle of View (H x V)	180° x 180°
Shutter	Auto/Manual, 1/6 ~ 1/100000 s
Minimum Illumination	Color: 0.01 Lux (F2.0, AGC ON); 0 Lux with IR
Day/Night	IR-cut filter with auto switch (ICR)
Digital noise reduction	2D/3D DNR
Smart IR LED Control; Range	Auto / Manual On / Off; Up to 20m (66ft)
WDR	120dB
Video Compression	Ultra 265, H.265, H.264, MJPEG
H.264 code profile	Baseline profile, Main Profile, High Profile
Maximum Frame Rate / Stream	Main: 5MP (2880 x 1620) @ 30fps Sub: 1080P (1920 x 1080) @ 30fps Third Stream: D1 (720 x 576) @ 30fps
HLC, BLC, Defog, Flip, Dewarping	Supported
OSD, Privacy Mask, Motion Detection & ROI	Up to 8 areas
Network	
Protocols	IPv4, IGMP, ICMP, ARP, TCP, UDP, DHCP, PPPoE, RTP, RTSP, RTCP, DNS, DDNS, NTP, FTP, UPnP, HTTP, HTTPS, SMTP, 802.1x, SNMP, QoS
Compatible Integration	ONVIF (Profile S, G, T), API
Network	RJ45, 10M/100M Base-TX Ethernet
Intelligent Perimeter Prevention	Line Crossing, Intrusion & Leave Area detection w/ Smart Intrusion Prevention Technology for False Alarm Prevention
Local & Network Storage	Micro-SD, up to 256GB; ANR
General	
Power	12VDC +/- 25%; PoE (IEEE802.3 af); Power consumption: Max 5.5W
Dimensions (L x W x H) & Weight	Φ111 x 93mm (Φ4.4 x 3.7"); .48kg (1.06lb)
Audio & Compression	Built-in Mic; G.711A & G.711U Compression
Operating Temperature & Humidity	-30°C ~ +60°C (-22°F ~ 140°F); Humidity: 10%~95% RH (non-condensing)
Conformity Certifications	IP67, IK10, CE, FCC

## Dimensions



## Accessories

See Camera Accessories Guide