

## **4MP, TRUE DAY/NIGHT, WDR, IR, TURRET DOME**



*Varifocal Lens Turret Dome*

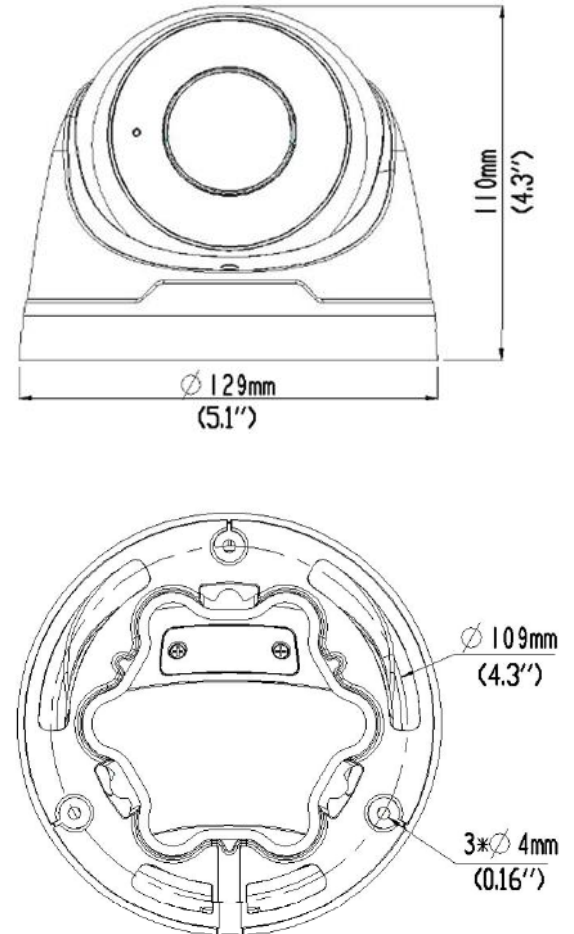
### ***IPT4E212MX***

- > Fully Adheres to National Defense Authorization Act (NDA A) Guidelines
- > Exceptional Video Quality with 4MP, 2688 x 1520 Resolution
- > Super-Efficient H.265 Video Compression for Drastically Reduced Bandwidth and Storage Requirements
- > Powerful, Smart IR LED Lights for 0Lux Night Time Operation up to 131 Feet
- > 2.8 ~ 12mm motorized varifocal, automatic focus lens
- > TRUE Day/Night and WDR functionality for all Lighting Conditions
- > Corridor Mode, Built-in microphone, Backlight Compensation and 3D DNR (Digital Noise Reduction)
- > Dual Video Streams; ONVIF Profile S Compliant
- > Intrusion Detection Analytics
- > PoE & 12VDC Power Options and Optional Wall and Pendant Mounts Available
- > Built-in Micro-SD Card Slot enables local storage up to 256GB
- > 3-Way Axis, IP67 Weather Resistant and IK10 Vandal Resistant Rated Vandal Housing
- > Supported by uniview tec Guard Station Software and Guard Viewer Mobile App's for iPhone and Android Devices

## Specifications

Camera	
Sensor	1/3", progressive scan , 4 megapixel, CMOS
Lens	2.8 ~ 12mm, varifocal automatic focusing and motorized zoom lens
Angle of View (H x V)	102.79° ~ 30.86° x 54.50° ~ 17.49° (wide ~ tele)
Shutter	Auto/Manual, 1/6 ~ 1/100000 s
Minimum Illumination	Color: 0.003 Lux (F1.6, AGC ON); 0 Lux with IR
Day/Night	IR-cut filter with auto switch (ICR)
Digital noise reduction	2D/3D DNR
IR LED Range	Up to 40m (131ft) IR range
WDR	120dB
Video Compression	Ultra 265, H.265, H.264, MJPEG
H.264 code profile	Baseline profile, Main Profile, High Profile
Maximum Frame Rate / Stream	Main: 4MP (2688 x 1520) @ 25fps; or (2560 x 1440) @ 25fps; or 3MP (2304 x 1296) @ 30fps Sub: 720P (1280 x 720) @ 30fps
HLC, BLC, 9:16 Corridor, Defog, Flip	Supported
OSD, Privacy, Motion & ROI	Up to 8 areas
Network	
Protocols	IPv4, IGMP, ICMP, ARP, TCP, UDP, DHCP, RTP, RTSP, RTCP, RTMP, DNS, DDNS, NTP, FTP, UPnP, HTTP, HTTPS, SMTP, SSL, QoS, 802.1x, SNMP
Compatible Integration	ONVIF (Profile S, G, T), API
Network	RJ45, 10M/100M Base-TX Ethernet
Intrusion Detection Analytics	Cross Line, Intrusion, Motion & Tampering Detection
Local Storage	Micro-SD, up to 256GB
Network Storage	Automatic Network Replenishment (ANR)
General	
Power	12VDC +/- 25%, PoE (IEEE802.3 af); Max 8W
Dimensions (Ø x H) & Weight	Ø129 x 110mm (Ø5.1 x 4.3"); 0.67kg (1.48lb)
Audio & Compression	Built-in microphone; G711
Operating Temperature & Humidity	-30°C ~ +60°C (-22°F ~ 140°F); Humidity: 10%~95% RH (non-condensing)
Conformity Certifications	IP67, CE, FCC

## Dimensions



## Accessories

See Camera Accessories Guide