

4MP LIGHTHUNTER, TDN, WDR, IR BULLET



Fixed Lens Bullet

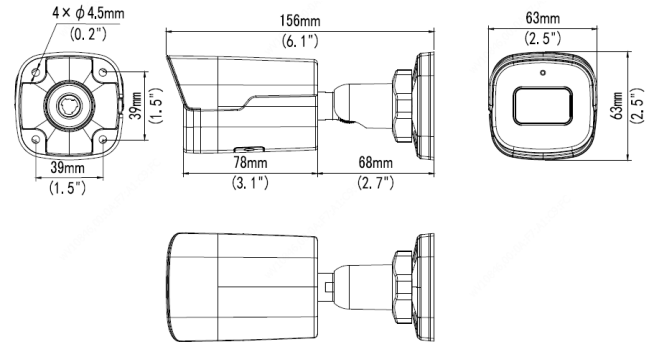
IPB428AIX

- > Fully Adheres to National Defense Authorization Act (NDAA) Guidelines
- > LightHunter Technology for ultra-high quality color video images in low light applications with up 4MP, 2688 x 1520 Resolution
- > Super-Efficient H.265 Video Compression for Drastically Reduced Bandwidth and Storage Requirements
- > Powerful, Smart IR LED Lights for 0Lux Night Time Operation up to 131 Feet
- > 2.8 fixed, wide-angle lens
- > TRUE Day/Night and WDR functionality for all Lighting Conditions
- > Built-in Microphone, Backlight Compensation, Corridor Mode, Defog and 3D DNR (Digital Noise Reduction)
- > Triple Video Streams & ONVIF Profile S Compliant
- > Intelligent perimeter protection such as cross line and intrusion, with smart intrusion prevention technology for significantly reduced false alarms when focusing on humans and motor vehicles
- > PoE & 12VDC Power Options, & Built-in Micro-SD Card Slot enables local storage up to 256GB
- > IP67 Weather Resistant Housing, 3-Way Axis and Optional Mounts Available
- > Supported by uniview tec Guard Station Software and Guard Viewer Mobile App's for iPhone and Android Devices

Specifications

Dimensions

Camera	
Sensor	1/3", progressive scan , 4 megapixel, CMOS
Lens	2.8 mm@ F1.6
Angle of View (H x V)	101.1° x 55.3°
Shutter	Auto/Manual, 1/6 ~ 1/100000 s
Minimum Illumination	Color: 0.003 Lux (F1.6, AGC ON); 0 Lux with IR
Day/Night	IR-cut filter with auto switch (ICR)
Digital noise reduction	2D/3D DNR
Smart IR LED Range / Wavelength	Up to 40m (131ft) IR range / 850nm
WDR	120dB
Video Compression	Ultra 265, H.265, H.264, MJPEG
H.264 code profile	Baseline profile, Main Profile, High Profile
Maximum Frame Rate / Stream	Main: 4MP (2688 x 1520) @ 30fps Sub: 720P (1280 x 720) @ 30fps Third Stream: D1 (720 x 576) @ 30fps
HLC, BLC, 9:16 Corridor, Defog, Flip	Supported
OSD, Privacy Mask, Motion Detection & ROI	Up to 8 areas
Network	
Protocols	IPv4, IGMP, ICMP, ARP, TCP, UDP, DHCP, PPPoE, RTP, RTSP, RTCP, DNS, DDNS, NTP, FTP, UPnP, HTTP, HTTPS, SMTP, 802.1x, SNMP, QoS
Compatible Integration	ONVIF (Profile S, G, T), API
Network	RJ45, 10M/100M Base-TX Ethernet
Intelligent Perimeter Protection	Line Crossing, Intrusion & Leave Area detection w/ Smart Intrusion Prevention Technology for False Alarm Prevention
Local & Network Storage	Micro-SD, up to 256GB; ANR
General	
Power	12VDC, PoE (IEEE802.3 af); Power consumption: Max 4W
Audio & Compression	Built-in Mic; G.711
Dimensions (L x W x H) & Weight	155.9 x 63.1 x 62.7mm (6.1 x 2.5 x 2.5"); 0.42kg (0.93lb)
Operating Temperature & Humidity	-30°C ~ +60°C (-22°F ~ 140°F); Humidity: 10%~95% RH (non-condensing)
Conformity Certifications	IP67, CE, FCC



Accessories

See Camera Accessories Guide