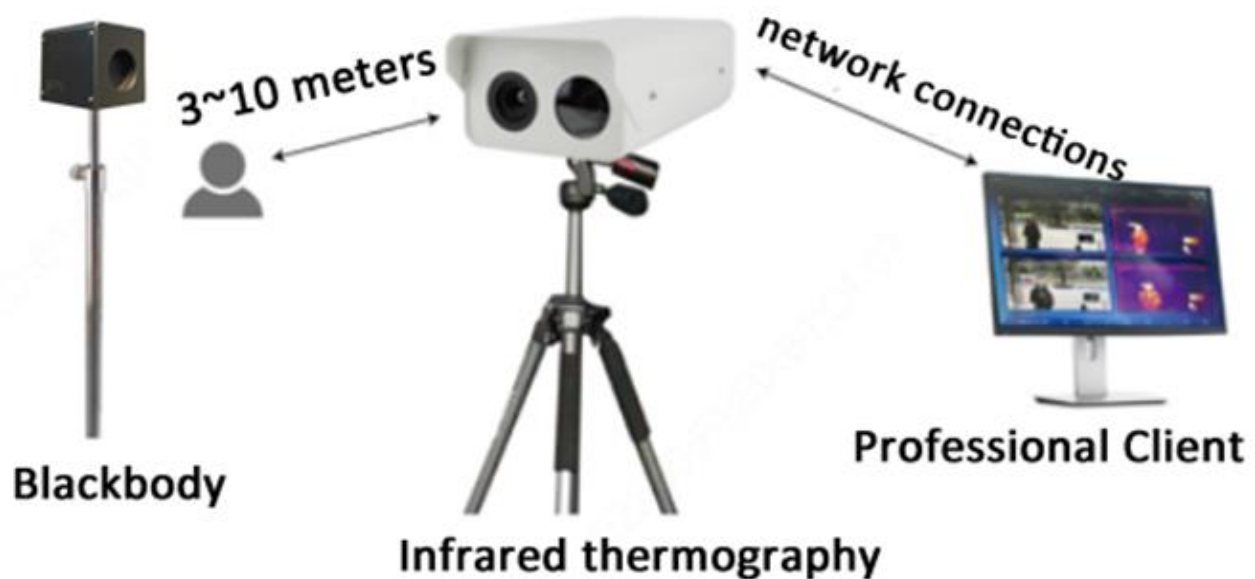


## THERMOGRAPHIC FEVER SCREEN SYSTEM



### Fever Screen System

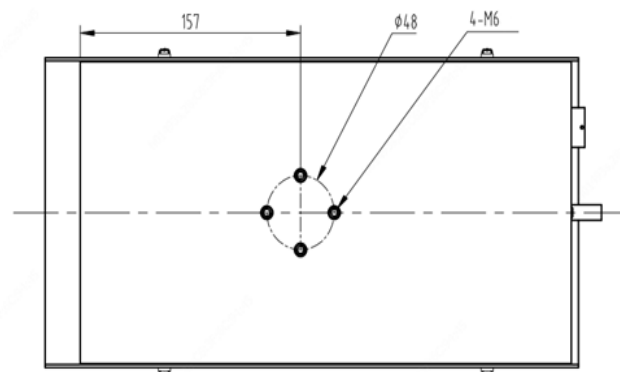
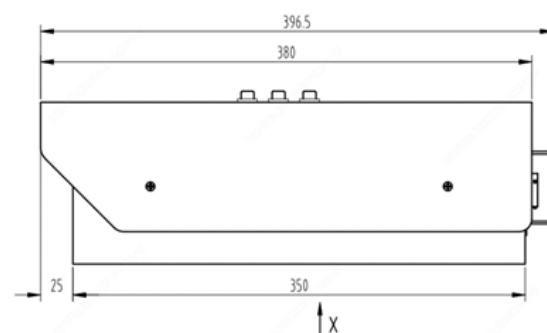
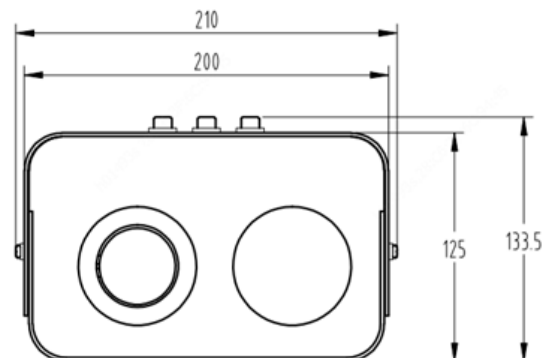
## UVT-TFSSLR

- > System contains blackbody, camera, tripod and software for real time thermal imaging and automatic temperature measurement of multiple targets
- > Temperature measurement accuracy is  $\leq 0.54^{\circ}\text{F}$  ( $0.3^{\circ}\text{C}$ )
- > Simultaneous temperature display of visible and infrared thermal imaging
- > Large scenes can also be accurately and quickly screened
- > Supports automatic capture when alarm is triggered to provide evidence after the event
- > Supports automatic calibration of body and surface temperature to make temperature measurement more accurate
- > Supports historical alarm record query

## Specifications

Camera	
Sensor	Thermal: Uncooled focal plane array Visible: 1/1.8" progressive scan CMOS
Resolution	Thermal: 384 x 288 @ 25fps Visible: 1920 x 1080 @ 30fps
Lens	Thermal: 18mm; Video: 3.8 ~ 16mm
Iris	Thermal: F1.0; Video: F1.6
Angle of View (H x V)	25° X 19°
Thermal Detection Distance	9.8 ~ 32.8ft (3 ~ 10m)
Visible Minimum illumination	Color: 0.001 Lux; B/W: 0.0002 Lux (F1.6, AGC ON)
Visible S/N	> 52dB
Visible Defog	Optical & Digital
Visible Day/Night	IR-cut filter with auto switch (ICR)
Visible WDR	120dB
Visible OSD	Up to 8 OSDs
Local & Network Storage	Micro SD, up to 256GB; ANR
Network protocols	IPv4, IGMP, ICMP, ARP, TCP, UDP, DHCP, PPPoE, RTP, RTSP, RTCP, DNS, DDNS, NTP, FTP, UPnP, HTTP, HTTPS, SMTP, 802.1x, SNMP, QoS
Dimension / Weight	15.6 x 8.3 x 5.2in (396.5 x 210 x 133.5mm); 11lb (5kg)
Black Body	
Accuracy	±0.36°F (±0.2°C) (Single point)
Stability	±0.18 ~ 0.36°F (±0.1 ~ 0.2°C) / 30min
Radiation area	φ 2.76" (φ70mm)
General	
Environment Temp & Humidity	60.8° ~ 89.6°F (16° ~ 32°C); ≤90%RH (non-condensing)
Target Temp Range	89.6° ~ 107.6°F (32° ~ 42°C); ≤±0.54°F (±0.3°C)
Alarm	Multi abnormal temperature point alarm and automatic capture
Capture	Capture when alarm is triggered
Temperature display	Simultaneous display of temperature in infrared and visible light images
Correction of body and surface temperature	Support automatic temperature calibration
PC Requirement	CPU I5 or more / memory 8G. Operating system win10, 64-bit.

## Dimensions



CAMERA